

# Concrete on the move always



● Transit Mixer ATM 2 / 4 / 6



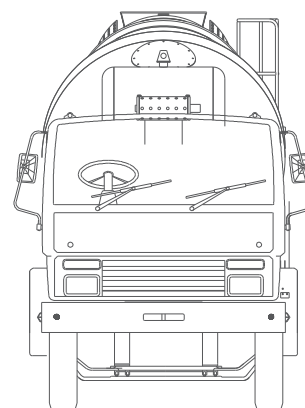
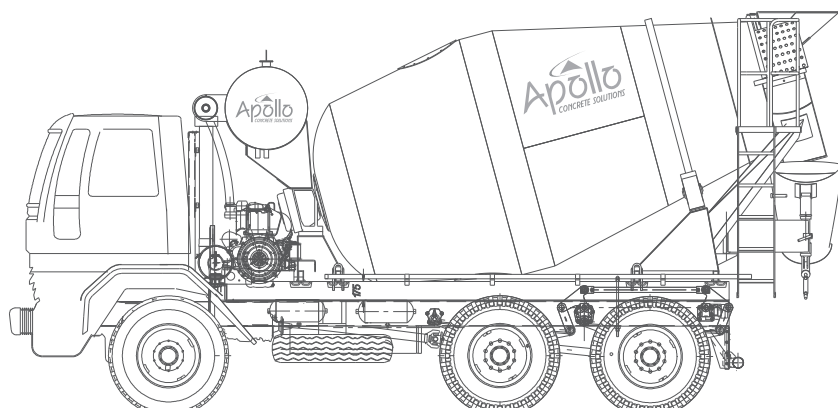
## Transit Mixer ATM 2 / ATM 4 / ATM 6

| Technical Specifications  |                |         |       |       |
|---|----------------|---------|-------|-------|
|   |                | ATM 2   | ATM 4 | ATM 6 |
| Nominal Capacity  | m <sup>3</sup> | 2       | 4     | 6     |
| Total geometric volume  | m <sup>3</sup> | 4       | 8     | 11.6  |
| Filling ratio   | %              | 50      | 50    | 51.7  |
| Drum speed  | RPM            | 0-14    | 0-14  | 0-14  |
| Drum angle  | Deg            | 15      | 15    | 15    |
| Rollers   | Nos.           | 2       | 2     | 2     |
| Water pump output pressure  | Bar.           | 5       | 5     | 5     |
| water tank capacity   | Litres         | 200     | 400   | 500   |
| Power   | KW/HP          | 23.6/32 | 40/54 | 52/70 |
| Weight of mixer   | Kgs.           | 2500    | 3000  | 3760  |
| Weight of mixer accessories<br>(Extension chutes with holder, ladder) | Kgs.           | 80      | 80    | 80    |
| Height of mixer frame   | mm             | 175     | 175   | 175   |
| Water Line volume   | Litres         | 2500    | 4700  | 7000  |
| Water Level gauge   | Liters         | 0-200   | 0-400 | 0-500 |

## Salient Features

- Long life mixing drum & spirals.
- User friendly operations.
- Optimized position of spirals ensures maximum discharge of concrete.
- Imported hydraulic pump and motor.
- Hardened rollers increase the reliability and cover provide safety & protection against dust.
- Efficient & reliable round the clock after sale-service.
- Mixer drum rotates on machined ring to achieve concentricity & smooth rotation.
- Micro filtration system ensuring hydraulic & motor protection.
- Compact mixing unit.

| Dimensions           | ATM 2   | ATM 4   | ATM 6   |
|----------------------|---------|---------|---------|
| A. Frame Length      | 3800 mm | 4115 mm | 4730 mm |
| B. Max. Length       | 4700 mm | 5050 mm | 5875 mm |
| G. Center of Gravity | 1800 mm | 2200 mm | 2400 mm |
| H. Max. Height       | 2160 mm | 2505 mm | 2785 mm |
| Max. Width           | 2400 mm | 2400 mm | 2474 mm |



- With Apollo's policy of constant upgradation of products, specifications are subject to change without prior notice.
- Accessories shown here are optional and not the part of standard supply.



### Apollo Infratech Private Limited

Ahmedabad-Mehsana State Highway, Village: Rajpur 382740,  
Taluka: Kadi, Dist: Mehsana, Gujarat, INDIA  
Tel: +91 2764 232217, Fax: +91 2764 233117,  
E-mail: sales@apolloinfratech.com

[www.apolloinfratech.com](http://www.apolloinfratech.com)