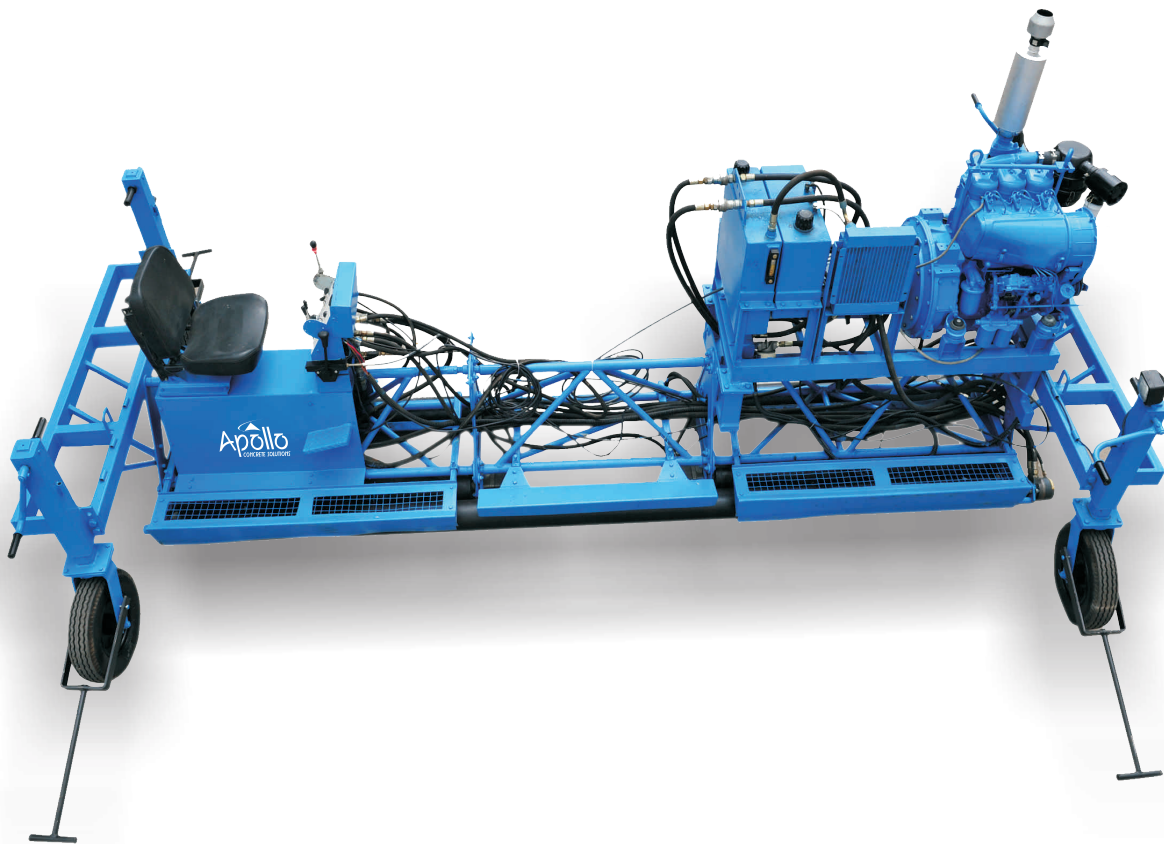


Paving the way to progress and prosperity



● Fixed Form Concrete Paver

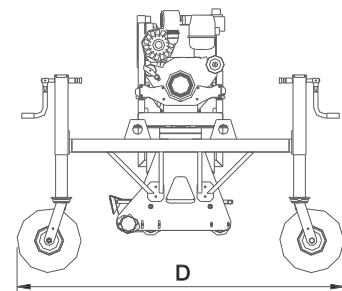
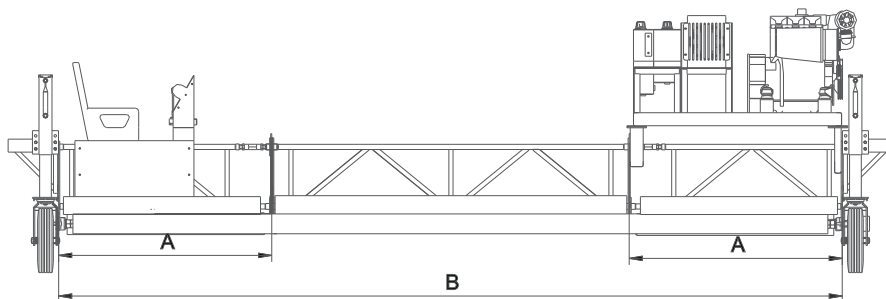
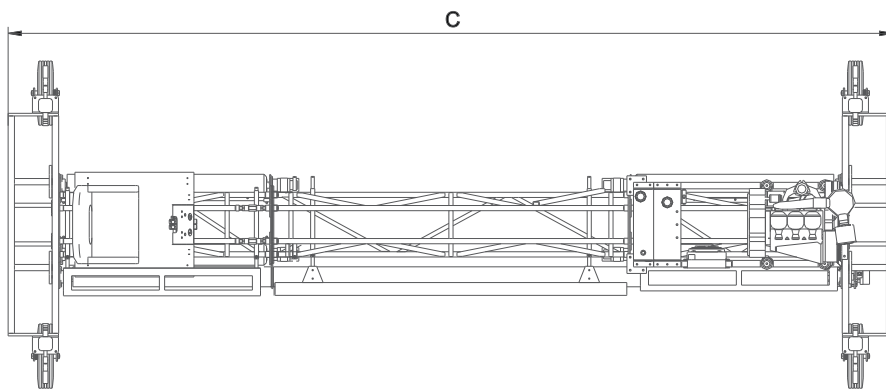
Fixed Form Concrete Paver STP 5000, 10000 & 15000

Technical Details

| | |
|--------------------------------|--|
| PRIME MOVER | KOEL Ha394 32 HP@1500 RPM |
| DRIVE TUBE SPEED | 0-80 RPM |
| STRIKE TUBE SPEED | 0-400 RPM |
| HYDRAULIC TANK CAPACITY | 40 LTR |
| FUEL TANK CAPACITY | 44 LTR |
| SCREW JACK WITH TYRES | 4 NOS. |
| SUPPLY VOLTAGE | 12 V DC |

Features

- Available in three different lengths for different paving widths
- Finishing width up to 14.5 meter. Machine can finish up to 450 Sq. mtr / hour
- Frames are made from hollow sections.
- Hydraulic drive system for dependable operations.
- Control unit includes all hydraulics and mechanical drives.
- Steering is effortlessly and precisely controlled with levers governing two sets of drive tubes
- Four mechanical swivel type jacks with tires for height adjustment fitted at each end of structure. It also helps to position the paver on the forms as well travel in or out of panel area.
- Self mounted powerful halogen lamps recharged through battery.
- Multiple pass capability facilitates leveling of high spots and filling surface voids.



| Paver Model | STP 5000 | STP 10000 | STP 15000 |
|------------------|-----------|-----------|-----------|
| Dimension | mm | mm | mm |
| A | 1500 | 1500 | 1500 |
| B | 5000 | 10000 | 15000 |
| C | 5600 | 10600 | 15600 |
| D | 2440 | 2440 | 2440 |

- With Apollo's policy of constant upgradation of products, specifications are subject to change without prior notice.
- Accessories shown here are optional and not the part of standard supply.



Apollo Infratech Private Limited
 Ahmedabad-Mehsana State Highway, Village: Rajpur 382740,
 Taluka: Kadi, Dist: Mehsana, Gujarat, INDIA
 Tel: +91 2764 232217, Fax: +91 2764 233117,
 E-mail: sales@apolloinfratech.com

www.apolloinfratech.com